

MICOS

MOTION CONTROL & OPTICS **USA**

[Terms](#) | [Sitemap](#) | [About us](#) | [Contact](#) | [Catalog](#) | [Shows](#) | [News](#) | [Offices](#) | [Partners](#) | [Press Center](#) | [Support](#) | [Team](#) | [Home](#)

MICOS USA • 15375 BARRANCA PARKWAY • STE G101 • IRVINE • CA 92618 • PHONE 949 480 0538 • FAX 949 480 0538

Page

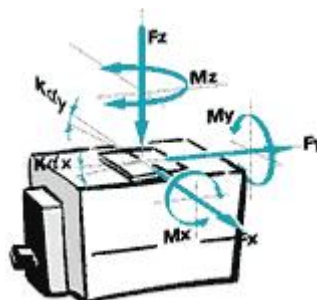
◀ 2.104 ▶ **Elevation Stage ES-65**

Positioners



Key features

- Travel range up to 26 mm (1")
- Maximum speed 20 mm/sec
- Load capacity 2 kg
- ball-bearings
- Limit switches integrated
- Module combination



FACTS

| Load Characteristics | Fx (N) | Fy (N) | Fz (N) | Mx (N) | My (Nm) | Mz (Nm) | kax (μrad/Nm) | kay (μrad/Nm) |
|--------------------------------------|--------|--------|--------|--------|---------|---------|---------------|---------------|
| DC-B-031 | 30 | 30 | 15 | 2 | 2 | 2 | 300 | 300 |
| 2Phase-032 <i>IA</i> | 30 | 30 | 20 | 2 | 5 | 5 | 300 | 300 |
| 2Phase-045 | 30 | 30 | 20 | 2 | 5 | 5 | 300 | 300 |

DESCRIPTION

Special characteristic of the Lifting Stage **ES-65** is its very compact structural shape. The

module is suitable for the precise positioning of light construction parts. A DC- or a 2-phase-micro-step (SMC-series) is available for the drive. Standardly the Elevation Stage **ES-65** is equipped with two mechanical limit switches.

Technical data

| | |
|--|--------------|
| Travel Range (mm) | 26 |
| Bi-directional Repeatability (μm) | +/- 5 |
| Uni-directional | +/- 0.3 |
| Accuracy (μm) | +/- 10 |
| Velocity Range (mm/sec) | 0.001 ... 20 |
| Straightness / Flatness (μm) | +/- 8 |
| Pitch (μrad) | +/- 400 |
| Yaw (μrad) | +/- 400 |
| Ballscrew Pitch (mm) | 1 |

| | |
|----------------------------|----|
| Speed max. (mm/sec) | |
| DC-B-031 | 20 |
| 2Phase-032 | 12 |
| 2Phase-045 | 12 |

| | |
|---|------------------------|
| Resolution Open-Loop / 1 mm pitch (μm) | |
| 2Phase-032 | 0.125 (SMC) 2.5 (FS) |
| 2Phase-045 | 0.25 (SMC) 2.5 (FS) |

| | |
|---|------|
| Closed-Loop (μm) | |
| DC-B-031 , Rotary encoder | 0,25 |

| | |
|---|---------|
| Nominal Current (Amps) / Voltage range (Volts) | |
| DC-B-031 | 2 24 |
| 2Phase-032 | 1.2 - |
| 2Phase-045 | 1.2 - |

| | |
|--------------------|-----------------------------|
| Material | Special-Alu, black anodized |
| Weight (kg) | 1.1 |

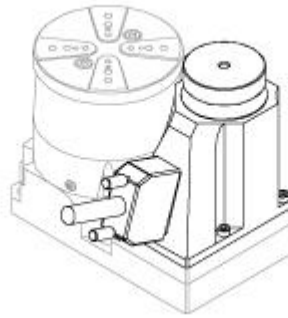
Note: (SMC): Micro-Step Mode, (FS): Full-Step 2Phase

More info: Detailed information, concerning the motor and connectors, see: Appendix

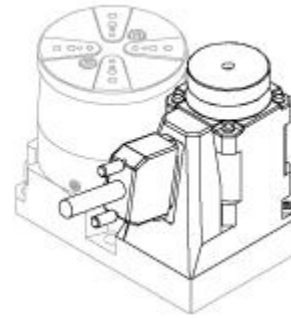
ES-65 Motors



DC-B-031

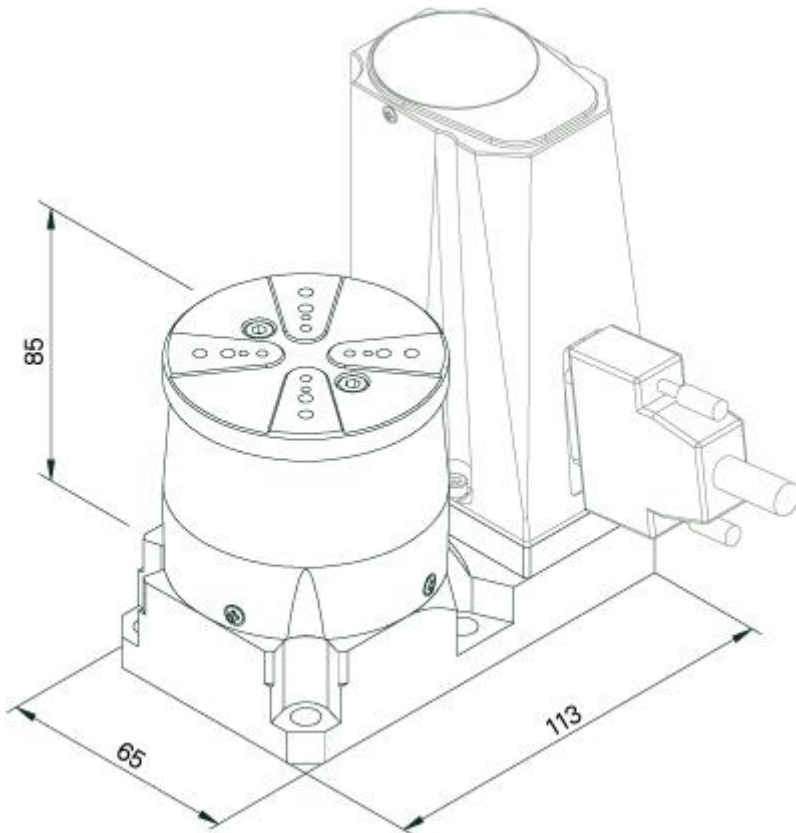


2Phase-032



2Phase-045

ES-65 Base



ES-65 Ordering information

| | |
|------------|---|
| DC-B-031 | 1 |
| 2Phase-032 | 2 |
| 2Phase-045 | 3 |

26 mm (1")



DC-B-031

2Phase-032

2Phase-045

26 mm (1")



| | | | | |
|---------|--|--|---|---|
| 6608-9- | | | 0 | 0 |
|---------|--|--|---|---|

Founded in 1990, MICOS specializes in the development, manufacturing and marketing of ultra-high precision positioning components and systems for research and industry. We are experts in vacuum, ultra-high vacuum, clean room, and extreme climate environments down to 77 Kelvin. ▶▶

[Terms](#) | [Sitemap](#) | [About us](#) | [Contact](#) | [Catalog](#) | [Shows](#) | [News](#) | [Offices](#) | [Partners](#) | [Press Center](#) | [Support](#) | [Team](#) | [Home](#)
MOTION CONTROL = [Systems](#) | [Positioners](#) | [MiniPositioners](#) | [DirectDrives](#) | [Controllers](#) | [ManPositioners](#) | [Accessories](#) | [Vacuum](#)
MAC PhotonX = [Moskito](#) | [Albatros](#) | [Campus](#)